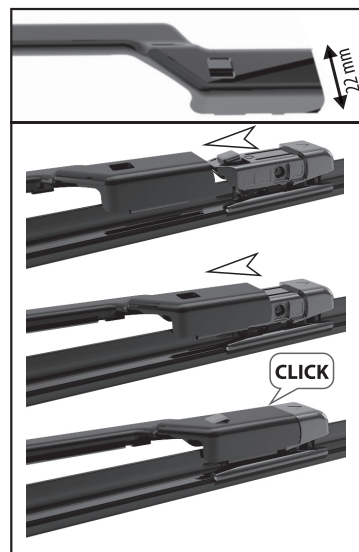
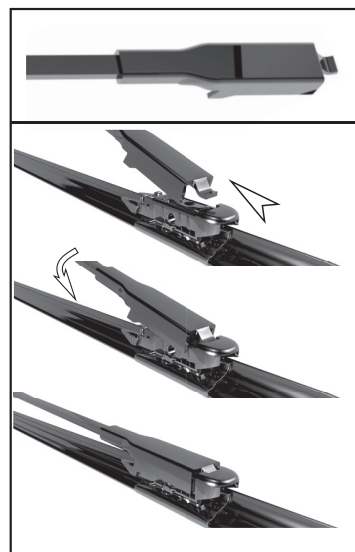


ARM TYPE	ADAPTOR
<b>A</b>	CR1206
<b>B</b>	CR1214
<b>C</b>	CR1203
<b>D</b>	CR1208
<b>E</b>	CR1202 CR1213
<b>F</b>	CR1209
<b>G</b>	CR1207
<b>H</b>	H
<b>J</b>	M4
<b>K</b>	K
<b>L</b>	9x3mm 9x4mm
<b>M</b>	CR3007
<b>T</b>	T1
<b>V</b>	CL

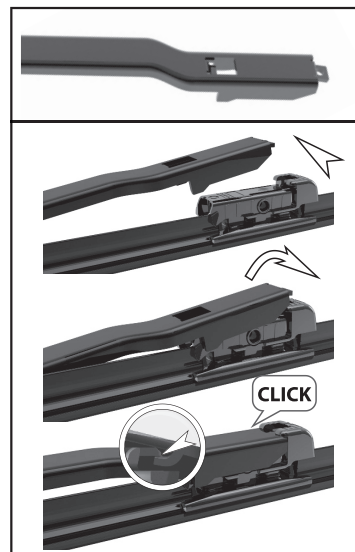
**A** CR1206



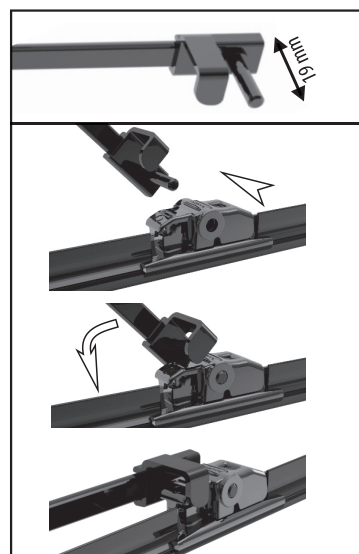
**B** CR1214



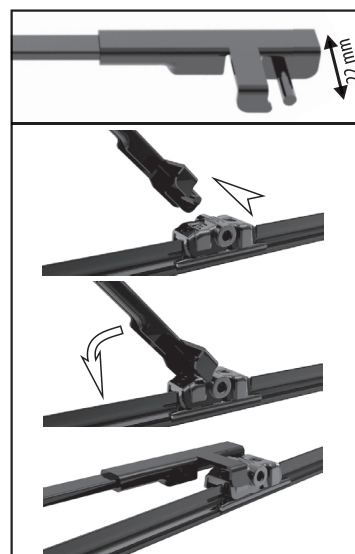
**C** CR1203



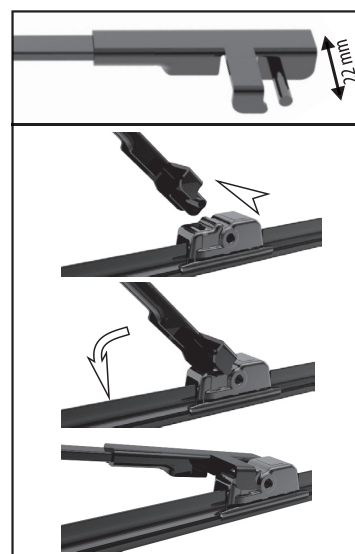
**D** CR1208



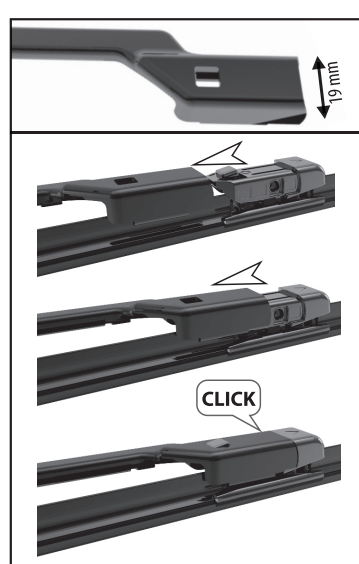
**E** CR1202



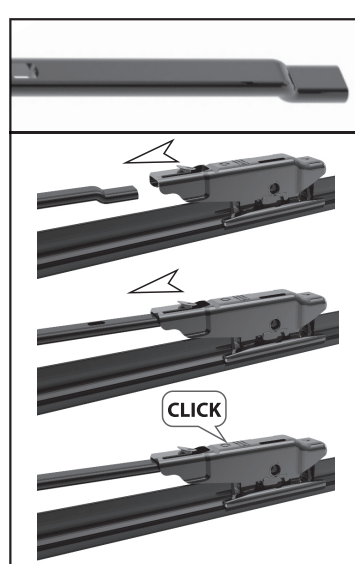
**E** CR1213



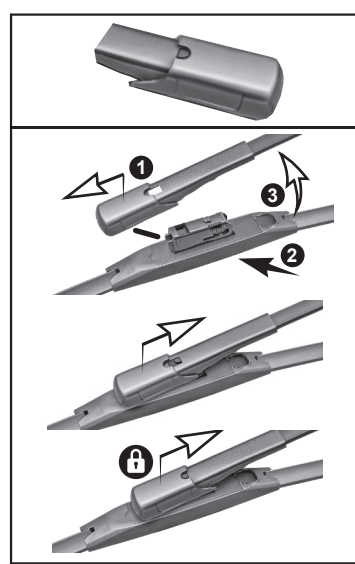
**F** CR1209











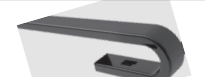





**G** CR1207



**H** H



ARM TYPE	ADAPTOR
<b>A</b> 	CR1206
<b>B</b> 	CR1214
<b>C</b> 	CR1203
<b>D</b> 	CR1208
<b>E</b> 	CR1202 CR1213
<b>F</b> 	CR1209
<b>G</b> 	CR1207
<b>H</b> 	H
<b>J</b> 	M4
<b>K</b> 	K
<b>L</b> 	9x3mm 9x4mm
<b>M</b> 	CR3007
<b>T</b> 	T1
<b>V</b> 	CL

